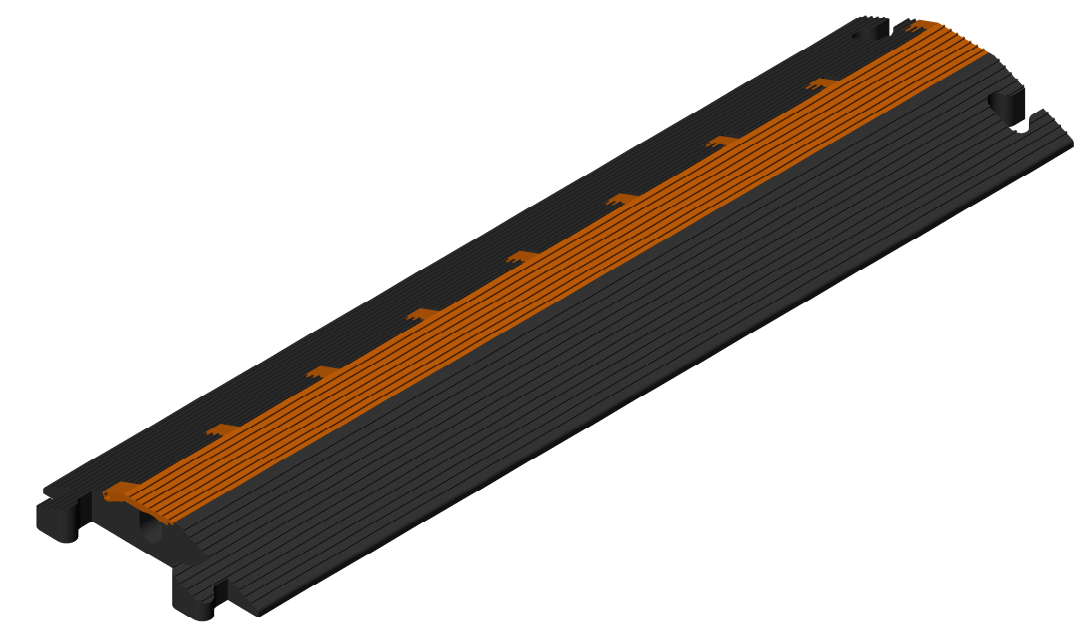
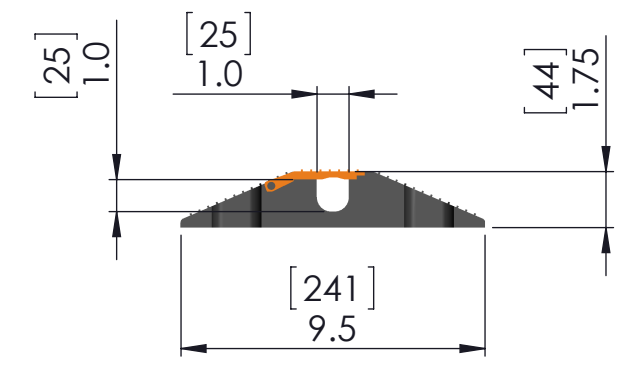
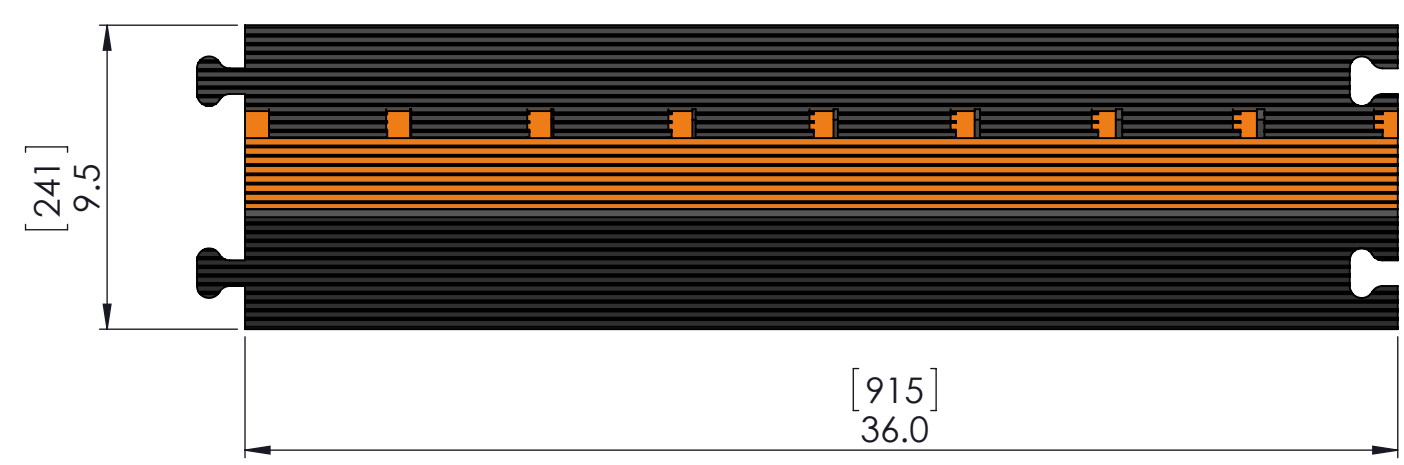


| ZONE | REV | DESCRIPTION | DATE | APPROVAL |
|------|-----|---------------------|----------|----------|
| | 1 | PRELIMINARY RELEASE | 1/4/2017 | CN |
| | | | | |
| | | | | |



| Technical Data Sheet - LG1100 | | |
|-----------------------------------|--------------------------|-------------------|
| Description | Imperial | Metric |
| Product - Length x Width x Height | 36 x 9.5 x 1.75 | 915 x 241 x 44 |
| Channel Size | 1 x 1 | 25 x 25 |
| Product Weight (lbs) | 12 | 5.4 |
| Load Capacity (lbs/axle) | 25,000 | 11,340 |
| Operating Temperature | -20°F up to +140°F | -30°C up to +60°C |
| Measurements are approximate | Imperial = inches & lbs. | Metric = mm & kg. |

Standard Colors - Black Base/Orange Lid
 Material - Polyurethane
 Durometer - 90 Shore A Base +/- 5 --- 55D Shore D Lid +/-5
 Manufacture in USA

| | | | |
|---|---|---|---|
| PROPRIETARY AND CONFIDENTIAL THE INFORMATION CONTAINED IN THIS DRAWING IS THE SOLE PROPERTY OF THE ESAC. ANY REPRODUCTION IN PART OR AS A WHOLE WITHOUT THE WRITTEN PERMISSION OF THE ELASCO IS PROHIBITED. | UNLESS OTHERWISE SPECIFIED: DIMENSIONS ARE IN INCHES TOLERANCES: FRACTIONAL: ± 1/32 ANGULAR: MACH ± 1° BEND ± 1° .X = ± .1 .XX = ± .01 .XXX = ± .005 | Elasco Products, LLC 18065 Redondo Circle Huntington Beach, CA 92648 | |
| | UNLESS OTHERWISE SPECIFIED DIMENSIONS AND TOLERANCES PER ASME Y14.5M | DRAWN: CN 1/4/2017 CHECKED: APPROVED: ELECTRONIC SIGNATURE ON FILE | TITLE: LITE GUARD 1 Channel at 1.0" SIZE: B DWG. NO. LG1100 SCALE: 1:6 |