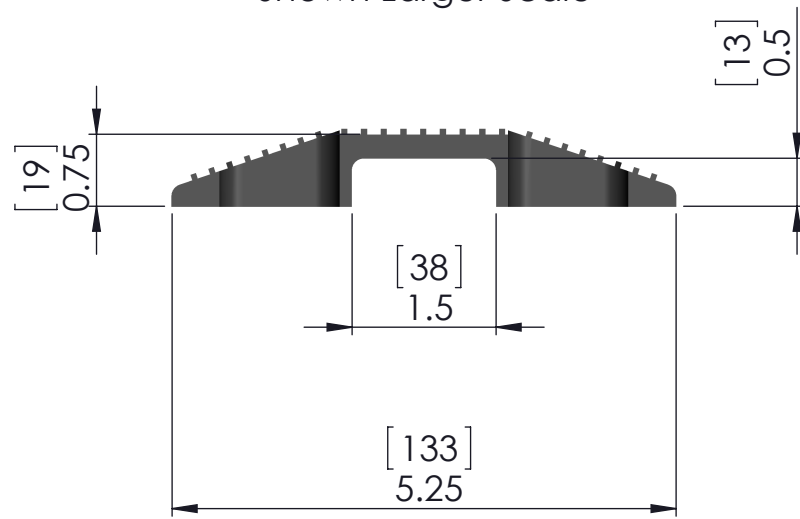
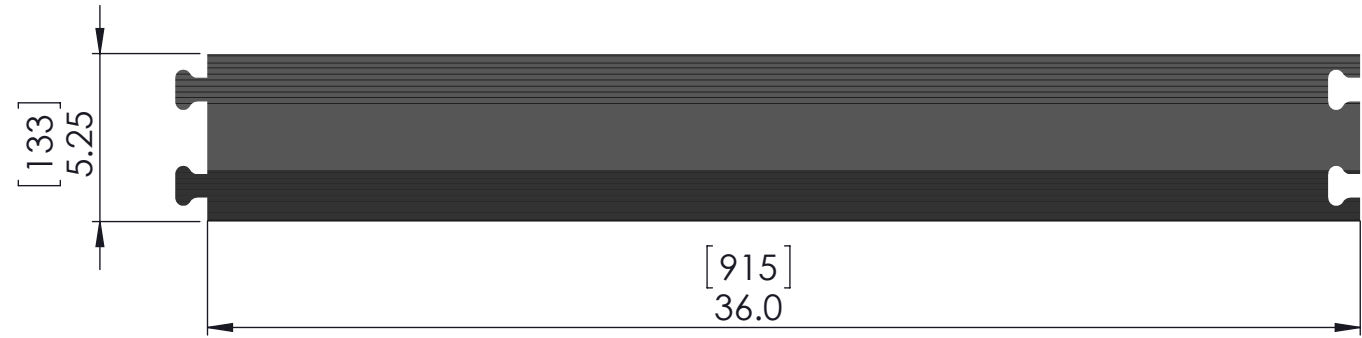


ZONE	REV	DESCRIPTION	DATE	APPROVAL
	1	PRELIMINARY RELEASE	1/23/2017	CN

Shown Larger Scale



Technical Data Sheet - ED1050		
Description	Imperial	Metric
Product - Length x Width x Height	36 x 5.25 x 0.75	915 x 133 x 19
Channel Size	1.5 x 0.5	38 x 12.5
Product Weight (lbs)	2	0.9
Load Capacity (lbs/axle)	12,250	5,555
Operating Temperature	-20°F up to +140°F	-30°C up to +60°C
Measurements are approximate	Imperial = inches & lbs.	Metric = mm & kg.

Standard Colors - Red or Black
Material - Polyurethane
Durometer - 62 Shore D +/- 5
Manufacture in USA

PROPRIETARY AND CONFIDENTIAL THE INFORMATION CONTAINED IN THIS DRAWING IS THE SOLE PROPERTY OF THE ESAC. ANY REPRODUCTION IN PART OR AS A WHOLE WITHOUT THE WRITTEN PERMISSION OF THE ELASCO IS PROHIBITED.	UNLESS OTHERWISE SPECIFIED:	Elasco Products, LLC 18065 Redondo Circle Huntington Beach, CA 92648		
	DIMENSIONS ARE IN INCHES TOLERANCES: FRACTIONAL: ± 1/32 ANGULAR: MACH ± 1° BEND ± 1° .X = ± .1 .XX = ± .01 .XXX = ± .005	TITLE: DropOver ED1050 Red or Black		
UNLESS OTHERWISE SPECIFIED DIMENSIONS AND TOLERANCES PER ASME Y14.5M	DRAWN: CN 1/23/2017 CHECKED: APPROVED: ELECTRONIC SIGNATURE ON FILE	SIZE B DWG. NO. ED1050 SCALE: 1:6	REV 1 SHEET 1 OF 1	